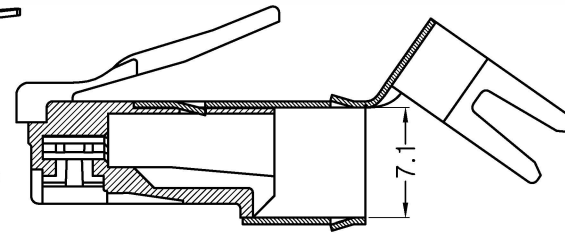
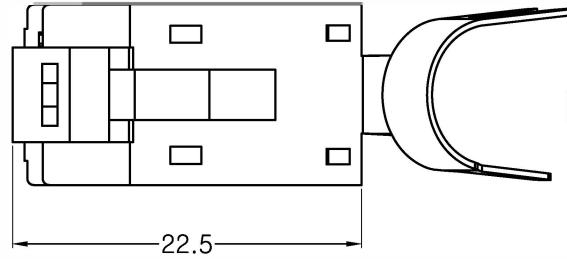
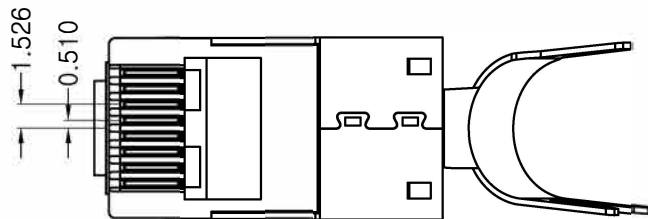
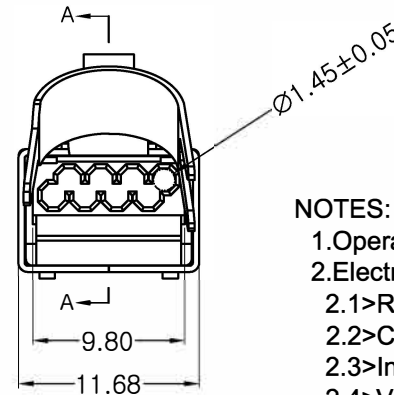
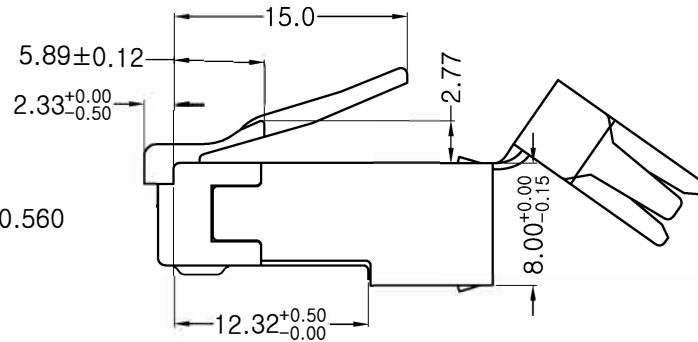
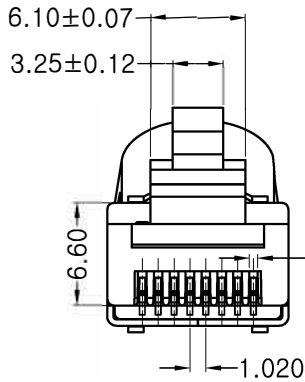


NOTE:ALL MATERIAL COMPLIANT ROHS STANDARD

REVISION INFORMATION			
Rev.	Rev. Date	Modified By	Brief Description



SECTION A-A



NOTES:

- 1.Operation Temperature:-40℃~+85℃.
- 2.Electrial Characteristics:
  - 2.1>Rated Current:125V AC,1.5A@25℃.
  - 2.2>Contact Resistance:20mΩ Max.
  - 2.3>Insulation Resistance:500MΩ Min,100V DC/min.
  - 2.4>Voltage Proof: 1000V AC/1 minute no breakdown.
- 3.Mechanical Characteristics:
  - 3.1>Insertion Force & Withdrawal Force:30N Max.
  - 3.2>Durability:750 cycles Min.
- 4.Environmental compliance:
  - 4.1>the products are compliant with the RoHS, and REACH etc.
- 5.CONDUCTOR:STRANDED&SOLID WIRE,22AWG,24AWG.  
(It can be used for the wire OD fromØ1.35~Ø1.45mm.)

3	BOOT		1PCS	32*4900**		BOOT,Material: PC,UL94V-2,OD8.5mm	Transparent PC
2	Load Bar		1PCS	30*0444**		Load Bar,4Up and 4Down Ø1.50mm	Transparent PC
1	Modular Plug	Shell	1PCS	45*40**06	Square hole	Au: G/F* <input type="checkbox"/> 1u" <input type="checkbox"/> 3u" <input type="checkbox"/> Ni: 80u" <input checked="" type="checkbox"/>	Brass <input checked="" type="checkbox"/> Spcc <input type="checkbox"/>
		Contacts	8PCS	/	2Prongs <input type="checkbox"/> 3Prongs <input checked="" type="checkbox"/>	G/F* <input type="checkbox"/> 1u" <input type="checkbox"/> 3u" <input type="checkbox"/> 6u" <input type="checkbox"/> 15u" <input type="checkbox"/> 30u" <input type="checkbox"/> 50u" <input checked="" type="checkbox"/> OTHER <input type="checkbox"/>	Brass <input type="checkbox"/> Phosphor copper <input checked="" type="checkbox"/>
		Housing	1PCS	21*0071**	CAT8/FTP HOUSING/LONG BODY/4UP AND 4DOWN	94V-2 <input checked="" type="checkbox"/> 94V-0 <input type="checkbox"/>	
NO	NAME	QTY	PART NO.	DESCRIPTION		MATERIAL	

DIMENSIONAL TOLERANCE	
X.X	±0.20
X.XX	±0.10
X.XXX	±0.05
ANGLE	±2°

# LANshack

Sales@LANshack.com | 888-568-1230

DRAWN BY Y.C.	DATE 2023.03.24	TITLE: QuickTrex® Cat 8 Shielded Modular Plug with Load Bar	
CHECKED BY T.D.	SHEET 1 of 1	SKU # QT-C8SP-10-XX	
APPROVED BY T.D.	SCALE 1:1	REV:00	UNIT:mm